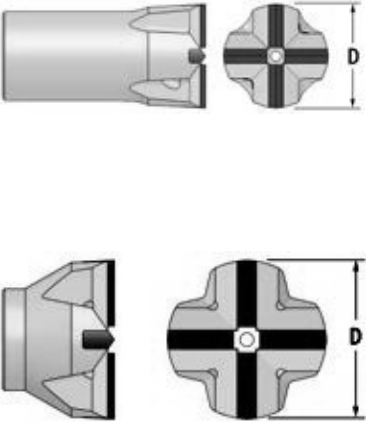

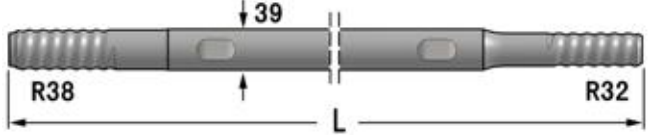
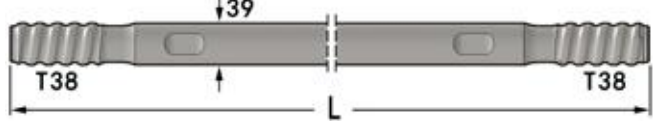


Furnace tapping hole bit

高炉用钎具

产品名称 Name of product	钎头直径 Diameter		合金 Tip size(mm) 高×厚 H×W	螺纹 Thread	重量 Weight approx kg	型号 P/N
	毫米 mm	英寸 inch				
十字型钎头 Cross-type bit 	45	1 3/4	7×8	R32	0.5	S145-R32
	50	1 31/32	7×8	R32	0.6	S150-R32
	55	2 1/8	7×8	R32	0.6	S155-R32
	55	2 1/8	7×8	R38	0.7	S155-R38
	55	2 1/8	7×8	T38	1.0	S155-T38
	60	2 3/8	7×8	R32	0.7	S160-R32
	60	2 3/8	7×8	R38	1.2	S160-R38
	60	2 3/8	7×8	T38	1.3	S160-T38
	65	2 1/2	7×8	R32	0.9	S265-R32
	65	2 1/2	7×8	R38	1.3	S265-R38
	65	2 1/2	7×8	T38	1.4	S265-T38
	70	2 3/4	7×8	R32	1.3	S270-R32
	70	2 3/4	7×8	T38	1.5	S270-T38
	80	3 1/8	7×8	R32	1.7	S280-R32
	100	3 3/4	7×8	R32	1.8	S2100-R32
柱齿形钎头 Button bit 	48	1 7/8	6×10	R32	0.6	Q648-R32
	51	2	6×10	R32	0.7	Q651-R32
	54	2 1/8	6×11	R32	0.7	Q654-R32
	57	2 1/4	6×11	R32	0.8	Q657-R32

产品名称 Name of product	长度 Length		重量 Weight (kg)	型号 P/N
	毫米 mm	英尺 Foot		
R38-Round39-R32 	2800	9'2"	22.7	GLD39-R38R32-2800
	3400	11'2"	27.8	GLD39-R38R32-3400
	3600	11'9"	29.4	GLD39-R38R32-3600
	4100	13'5"	34.5	GLD39-R38R32-4100
	4300	14'1"	35.3	GLD39-R38R32-4300
T38-Round39-T38 	3000	9'8"	24.9	GLD39-T38T38-3000
	3200	10'5"	26.5	GLD39-T38T38-3200
	4000	13'1"	33.4	GLD39-T38T38-4000

SHANDONG TAISHAN ROCK TOOLS CO., LTD

Mr:Tom Sui

Tel: 0086-635-6515509

Fax:0086-635-6515678

Mobile: 013563026509

013863526509

Email:chinarocktool@163.com

rockdrillingtools@163.com

export@china-rocktool.com

export@rockdrillingtools.com

MSN:sui671100@hotmail.com

SKYPE:sui671100

Website:www.rockdrillingtools.com

www.china-rocktool.com

**ADD: DongSong road #88, Yanggu ,Liaocheng city , Shandong
province , China**